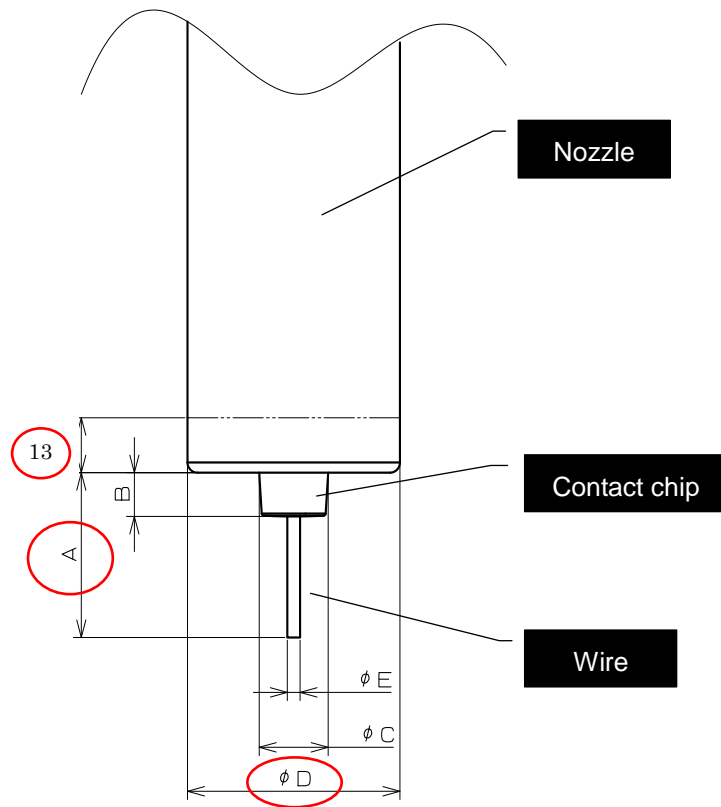


How to order the product

Please check the following items A-E of the currently used device when ordering Wire Cut.



* 1. A: At least 10mm is required.

* 2. If the contact chip does not protrude from the nozzle (B), please check the dimension A only.

* 3. D: The diameter at 13 mm from the end of the nozzle